

3" High Resolution Color Dome Camera

ADEMCO Video's AD3VC4HR(X) Indoor Color Dome Camera is a versatile, cost-effective, integrated surveillance solution. Its compact size of 3" is unobtrusive, providing a high quality CCD sensor and a precision lens within it's sleek, attractive housing. The AD3VC4HR(X) is quick and easy to install, and offers the flexibility of mounting on a wall or ceiling. Polarity Reversal Protection prevents damage or failure to the power supply during installation.

The AD3VC4HR(X) dome cameras feature a 1/3" 4mm-9mm varifocal lens—allowing the installer to choose the precise field of view (from standard through wide angles). Its auto iris adjusts for changes in lighting conditions for optimal picture quality. The camera delivers crisp, detailed images, with 470 TVL of resolution and a light sensitivity of 2.0 lux. The Automatic Backlight Compensation switch (BLC) makes it possible to view scenes with extreme contrasts, while the Automatic Gain Control (AGC) switch increases signal strength when there are insufficient lighting conditions.

The AD3VC4HR(X) installs quickly and easily with only two wire connections—video and power. Power can be supplied to the dome by connecting the pre-stripped flying lead (supplied) to a remote power supply, or a standard 12VDC or 24VAC connector may be mated directly to the dome's male connector. The camera rotates 360° and tilts 90° for maximum angle selection.

With its quality images, simplified installation and attractive cosmetic appearance, the AD3VC4HR(X) is an ideal surveillance solution for virtually any indoor installation.

FEATURES:

- 470 TVL
- Wall or ceiling mount
- 360° rotation/90° tilt
- Low cost/low profile
- 1/3" CCD
- 2.0 lux at F 1.6
- Light loss less than 50%
- S/N 50dB
- Polarity reversal protection
- Includes a 1/3" 4-9mm varifocal lens w/auto iris
- 12VDC or 24VAC power input



AD3VC4HR
AD3VC4HRX

**ADEMCO
VIDEO**
A Honeywell Company

3" High Resolution Color Dome Camera

SPECIFICATIONS:

Imager 1/3" High Sensitivity CCD
 Scanning System 2:1 Interlace
 Signal to Noise Ratio >50dB
 Sync. System Internal/Line Lock

Horizontal Resolution 470 TVL
 Effective Pixels 768(H) x 494(V) NTSC, 752(H) to 582 (V) PAL
 Sensitivity 2.0 lux at F1.6
 Video Output Signal 1.0Vp-p ,75 ohm Unbalanced
 AGC On/Off
 Flickerless Mode On/Off
 Gamma Compensation 0.45
 Back Light Compensation On/Off (Central Area)
 Light Loss (Bubble) less than 50%
 White Balance Auto
 ATW Range 2700k-9100k

Varifocal Direct Drive Lens:

Focal Length 4mm-9mm
 Field of View 71.0°-31.6° (H) x 5.18°-23.6° (V)

Mechanical:

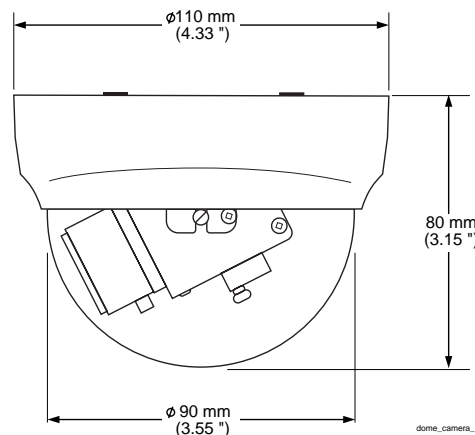
Height: 3.15" (80mm)
 Bubble Diameter 3.55" (90mm)
 Weight 6.35 ounces (180g)

Environmental: 23° F to 113° F (-5°C to +45°C)

Electrical:

Power Supply Switching, 12 VDC /24 VAC ±10%
 Power Consumption 2.8W max

DIMENSIONS:



ORDERING:

Part No.	Description
AD3VC4HR	1/3" CCD High Resolution Color CCD Dome Camera, 470 TVL, NTSC Format
AD3VC4HRX	1/3" CCD High Resolution Color CCD Dome Camera, 470 TVL, PAL Format

AD3VC4HR
AD3VC4HRX

ADEMCO Video Systems Support Center

Toll-free 800-796-CCTV
 Direct 972-353-6500
 Fax 972-353-6670
www.ademcovieo.com

1305 Waters Ridge Drive
 Lewisville, Texas 75057

Copyright ©2003 Honeywell International

ADEMCO VIDEO
 A Honeywell Company